



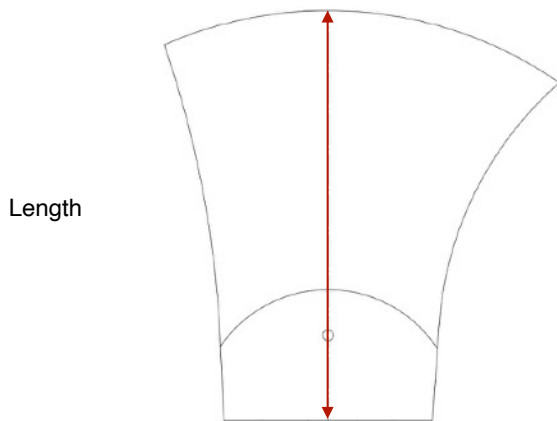
## AXE SIZE CHART

Pattern Name	Length (inches)	Width (inches)	Length (mm)	Width (mm)
W	7¼	7	184	178
2	7¼	7¼	184	184
38	7⅜	7⅜	187	187
Tree	7⅜	6⅜	187	161
CD	7½	7	190	178
42	7½	7¼	190	184
4	7½	7½	190	190
48	7½	8	190	203
52	7⅝	7¼	194	184
54	7⅝	7½	194	190
5	7⅝	7⅝	194	194
56	7⅝	7¾	194	197
58	7⅝	8	194	203
6	7¾	7¼	197	184
64	7¾	7½	197	190
66	7¾	7¾	197	197
68	7¾	8	197	203
7	7	7⅞	178	181
84	8	7½	203	190
88	8	8	203	203
HH2	8½	7½	216	190
HH3	8⅝	7½	219	190
S1	7¾	8½	197	216
S2	7¾	8¾	197	222
S3	7¾	9	197	229
Work Axe	7¼	7	184	178
Camp Axe	6	6	153	153

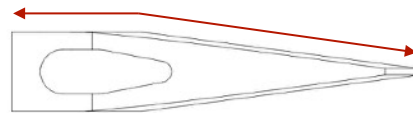
## PLEASE NOTE

We manufacture our unfinished axes approximately 3mm ( $\frac{1}{8}$ " ) larger than the listed finished sizes. This is to allow enough material to be ground and honed to the finished size. Our axes will always be to size or a little over-sized (within 3mm) but they will never be less than the advertised sizes.

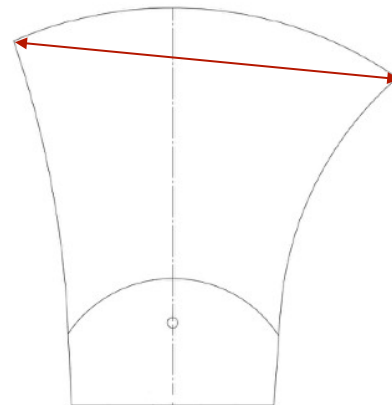
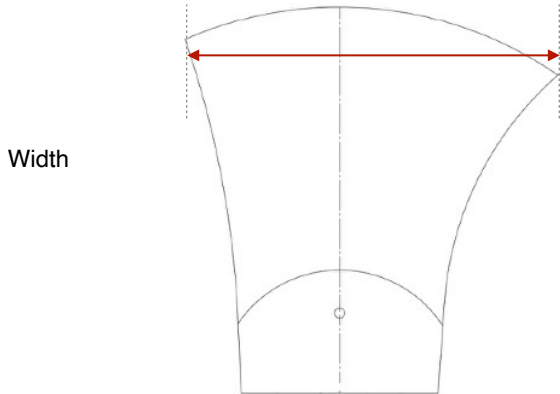
## HOW TO MEASURE YOUR AXE



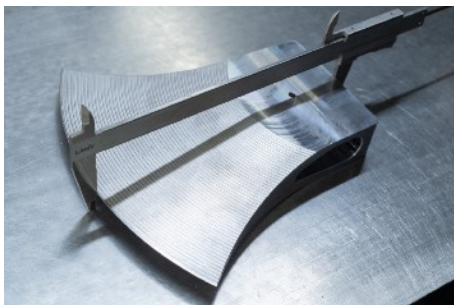
Correct way to measure the length



Incorrect method



Incorrect method



Correct way to measure these dimensions



Incorrect