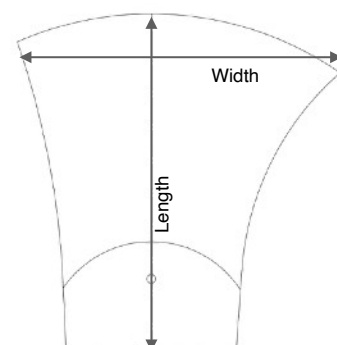




RACING AXE SIZE CHART

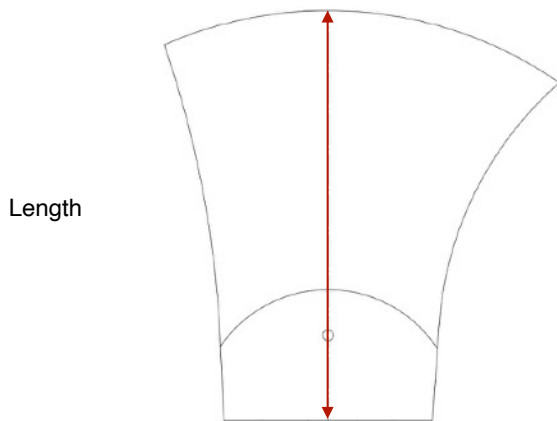
Pattern Name	Length (inches)	Width (inches)	Length (mm)	Width (mm)
W	7¼	7	184	178
2	7¼	7¼	184	184
38	7⅜	7⅜	187	187
Tree	7⅜	6⅜	187	161
CD	7½	7	190	178
42	7½	7¼	190	184
4	7½	7½	190	190
48	7½	8	190	203
52	7⅝	7¼	194	184
54	7⅝	7½	194	190
5	7⅝	7⅝	194	194
56	7⅝	7¾	194	197
58	7⅝	8	194	203
6	7¾	7¼	197	184
64	7¾	7½	197	190
66	7¾	7¾	197	197
68	7¾	8	197	203
84	8	7½	203	190
88	8	8	203	203
HH2	8½	7½	216	190
HH3	8⅝	7½	219	190



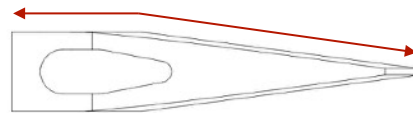
PLEASE NOTE

We manufacture our unfinished axes approximately 3mm (1/8") larger than the listed finished sizes. This is to allow enough material to be ground and honed to the finished size. Our axes will always be to size or a little over-sized (within 3mm) but they will never be less than the advertised sizes.

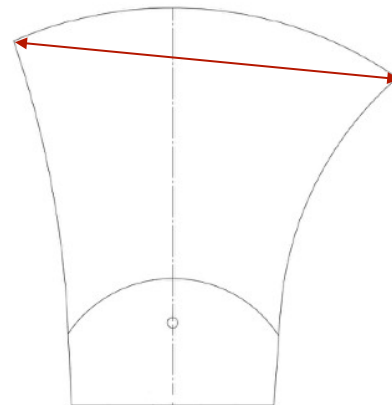
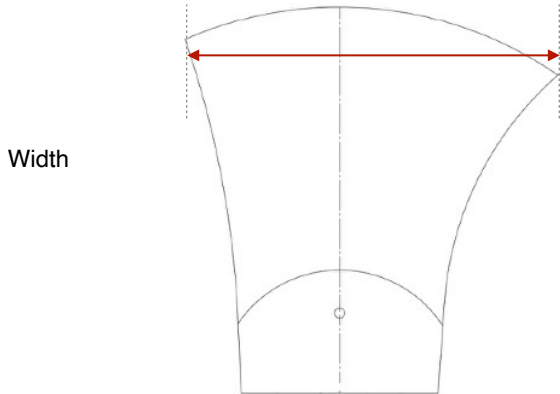
HOW TO MEASURE YOUR AXE



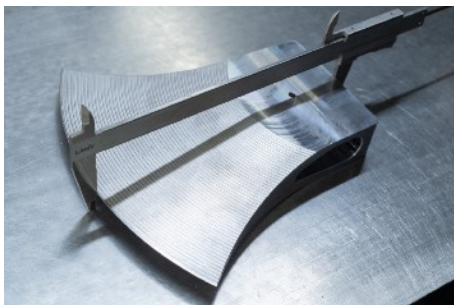
Correct way to measure the length



Incorrect method



Incorrect method



Correct way to measure these dimensions



Incorrect